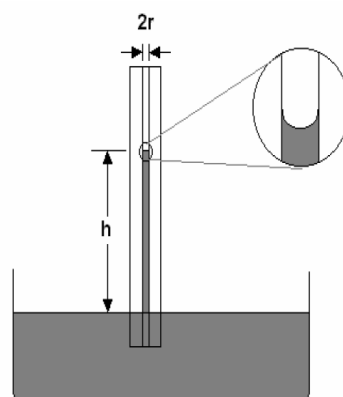


Measuring the surface tension using the “break-away” method



Measuring the surface tension from the height and the radius of the capillary tube



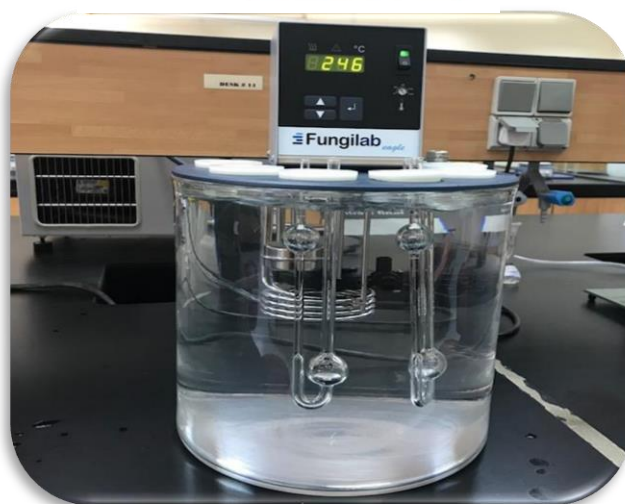
Capillary rise due to surface tension.

Ostwald viscometer, used to measure the viscosity for low viscous liquids, the driving force is the gravity force

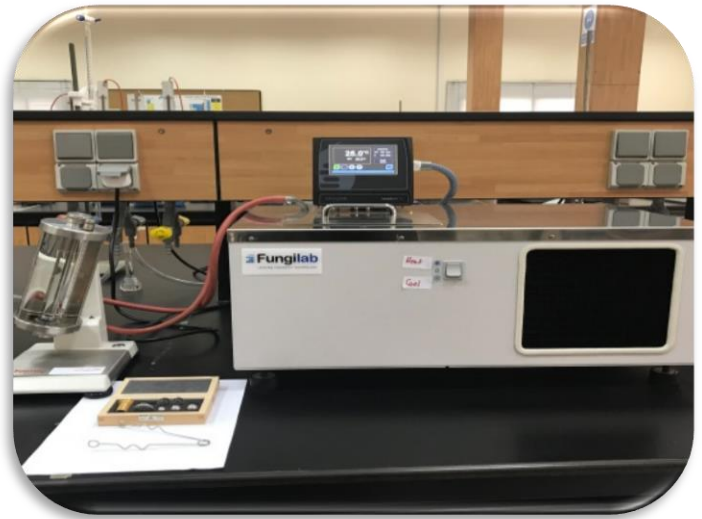
Ostwald viscometers measure the viscosity of a fluid with a known density.



Ostwald viscometer water bath



Falling ball viscometer and the thermostat, used to measure the viscosity for high viscous liquids using a steel ball at different temperatures.



Falling ball viscometer, used to measure the viscosity for gases using a glass ball.

